

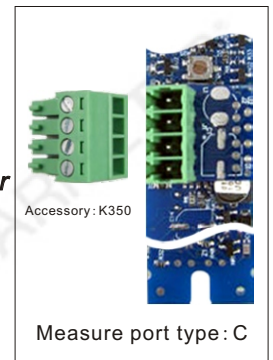
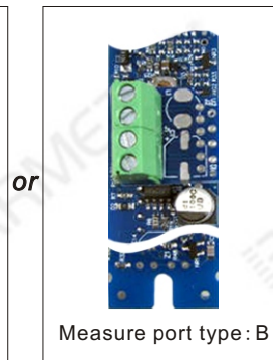
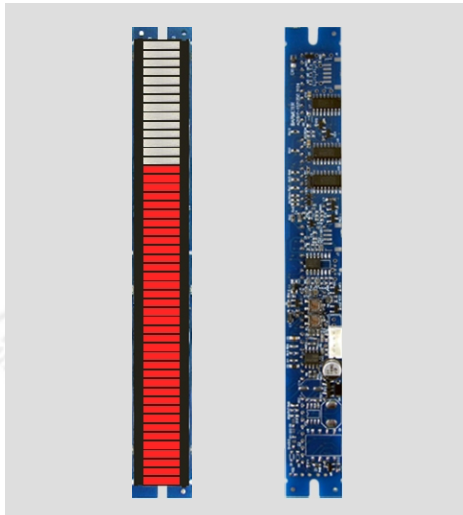
AS Series of LED Bargraph Meter Modules

AS150P-14712S

50 Segments 147mm Single Bar-Meter Module

AS

S



SPECIFICATIONS

FEATURES

- Rectangle windows technics with soft tinct.
- Single module struct, easy to install.
- Wide range of power supply and low power consumption.
- Used in measure and display DC value.

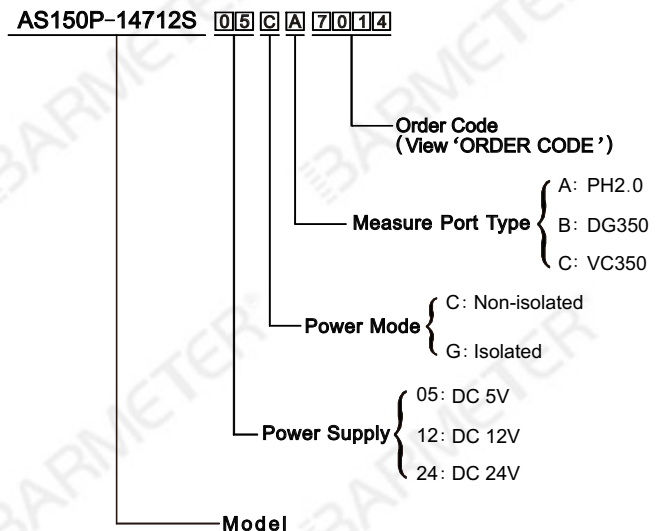
[Http://www.barmeter.com](http://www.barmeter.com)

DESCRIPTIONS

- **Input Mode:** Current, Voltage, Rheostat
- **Max. Input Over Capability:** 2× Input value
- **Input Resistance Via For Volt Meter:** >500KΩ
- **Resistance Via For Current Meter:** <50Ω
- **Rheostat's Input Range:** 2-10KΩ
- **Measuring Accuracy:**

1. Current, Voltage	±0.5% F. S. ±1Segment
2. Rheostat	±1.0% F. S. ±1Segment
- **Effective Beam Number:** 50 Segments
- **Bargraph Length:** 147 mm
- **Segment Pitch:** 3.0 mm
- **Bargraph Width:** 12 mm
- **Zero and Full Adjust Ratio:** ±10~20%
- **Power Supply and Range:** Normal: DC5V ±10%
Optional: DC12V (10~15V)
DC24V (20~28V)
- **Power Consumption:** ≤ 400 mW (F. S.)
- **Environment:** -30~70°C & <85%RH
- **Insulating Intension (Isolated Power):** DC1000V 1min

MODEL AND ORDERING CODE



ORDER CODE

Bar color	0~5V	1~5V	0~10mA	4~20mA	0~10V	Rheostat 2~10KΩ
Red ■■■■■■■■■	7011	7012	7013	7014	7015	7016
Green ■■■■■■■■■	7021	7022	7023	7024	7025	7026
Yellow ■■■■■■■■■	7031	7032	7033	7034	7035	7036
R(G)* ■■■■■■■■■	7041	7042	7043	7044	7045	7046
G(R)* ■■■■■■■■■	7051	7052	7053	7054	7055	7056

* Contiguous 9 red segments and 1 green segment cling together

* Contiguous 9 green segments and 1 red segment cling together

AS Series of LED Bargraph Meter Modules

AS150P-14712S

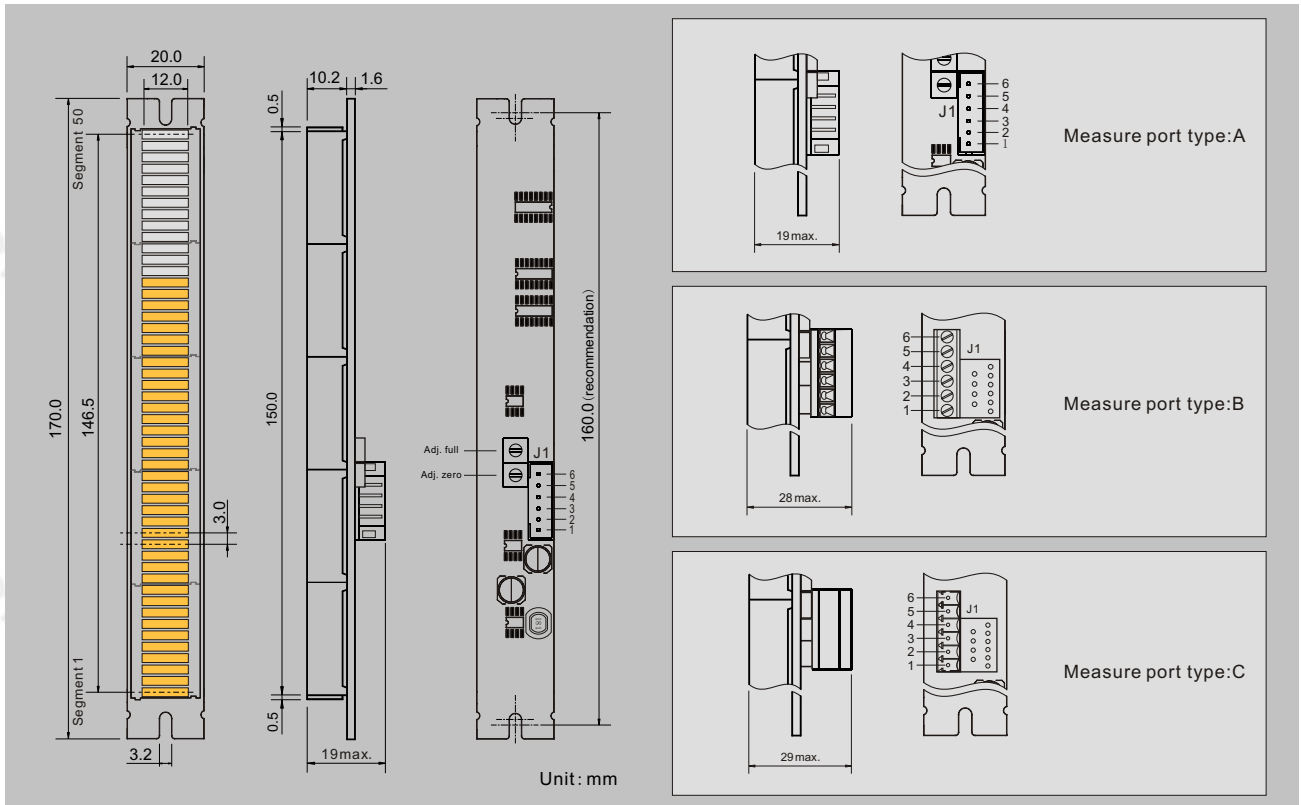
50 Segments 147mm Single Bar-Meter Module

AS

S

■ DIMENSION

• MODULE



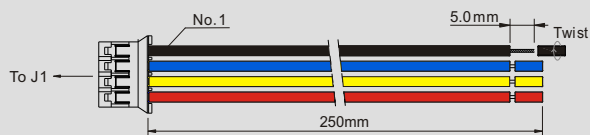
■ MEASURE PORT PINOUT (J1)

No.	Symbol	Wire color	Definition	Note
1	PS-	Black	Power Supply Negative	
2	IN(L)	Blue	Input low	
3	IN(H)	Yellow	Input High	
4	PS+	Red	Power Supply Positive	
5	Vref	Purple	Vref Output	*
6	GND	White	Internal Ground	*

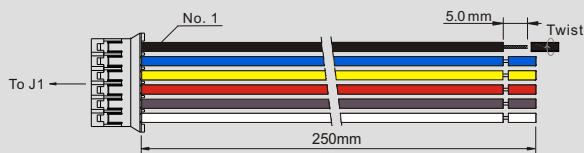
* When order '70X6' (View 'ORDER CODE')

• CONNECTOR (When the measure port choose type A)

WPH-204L25-1

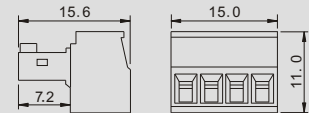


WPH-206L25-1 (When order '70X6')

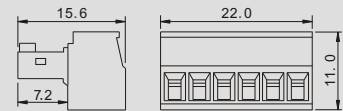


• CONNECTOR (When the measure port choose type C)

K350-4



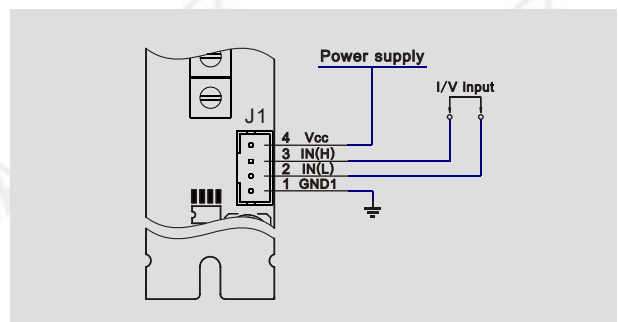
K350-6 (When order '70X6')



Unit: mm

■ THE APPLICATION OF SIGNAL INPUT

• The application of voltage and current input



- The application of rheostat input

